

Dennard



Description

Type 2010

The Type 2010 housing comprises a stylish pressure die cast enclosure, sized to suit the current range of CCD cameras with fixed focus lenses, plus wall bracket with cable management system. The equipment has been designed to provide weatherproof protection in an attractive package using the most modern manufacturing methods, which is reflected in its very competitive price.

Features

- ❶ Attractive styling.
- ❷ Pressure die cast aluminium alloy construction.
- ❸ 'O' ring seal.
- ❹ Fused input terminal block.
- ❺ Cable management bracket assembly.
- ❻ Keylock option.
- ❼ Multiple voltage option.
- ❽ Weatherproof to level IP66 .

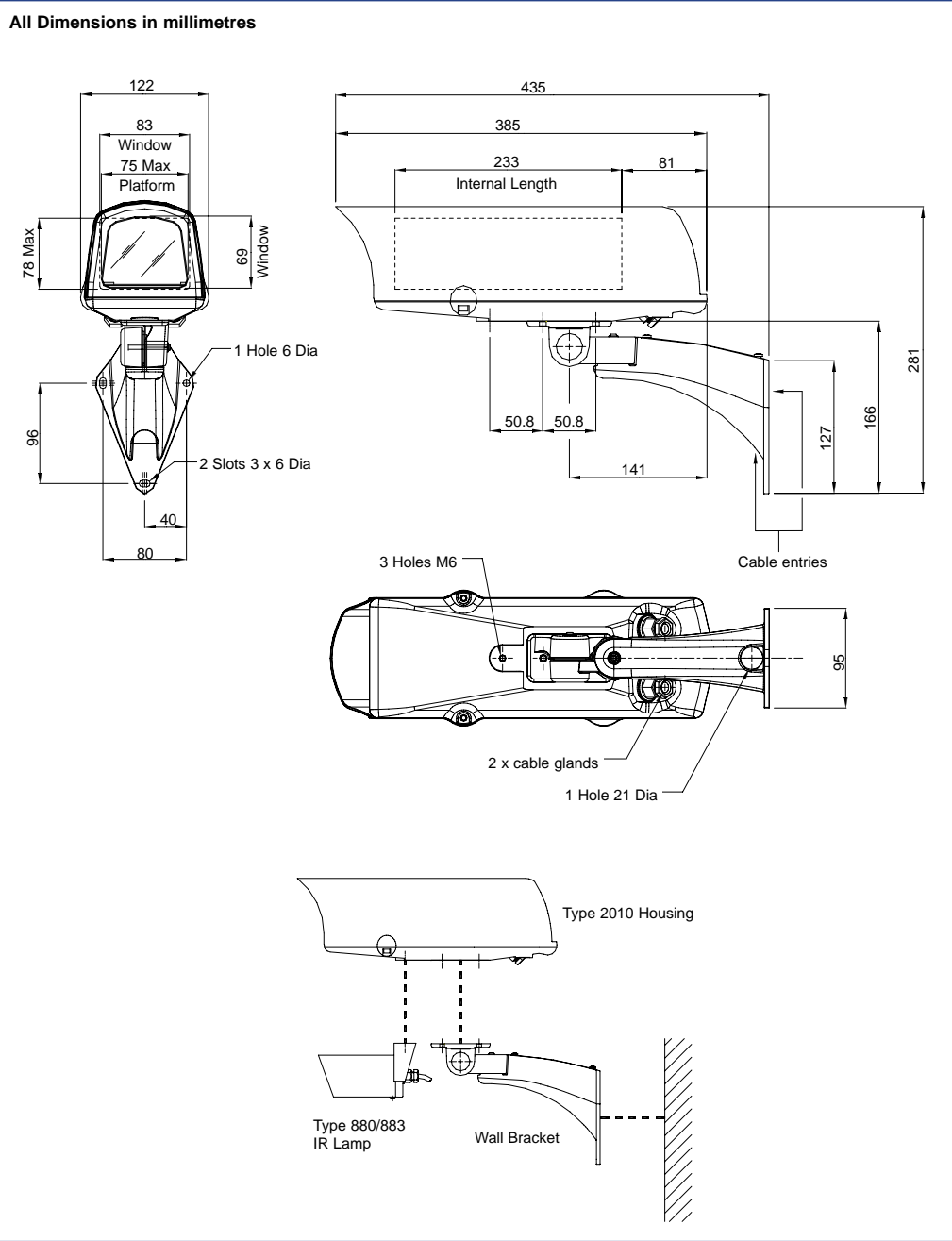
Build Options

- /L Keylock.
- /F Internal fan.
- /SS Sunshield.
- /D Dustproof.
- /S Anti tamper switch.
- /C Conduit.



DENNARD SUPPORT LINE + 44 (0) 1252 614884

Fax: 01252 626013



Specifications

Material:	Pressure die cast aluminium alloy.
Finish:	Powder coated and stoved.
Weight:	2.2kg
Heater Voltage:	12V or 24V 110V or 230V
Power Consumption:	12 VA (12V - 14VA)



Dennard

55 Fleet Road, Fleet, Hants, England. Tel: 01252 614884 Fax: 01252 626013

Web Site Address: www.dennard-cctv.com

